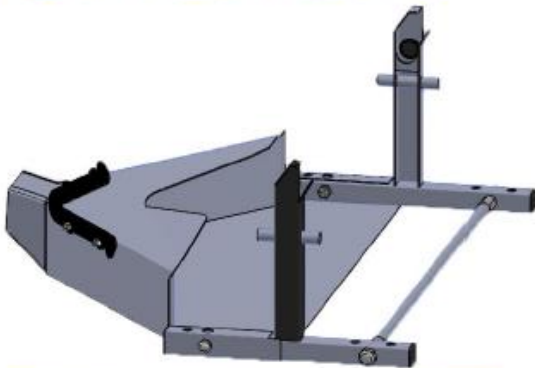


Assembly Instructions for  
**EP-5950**  
 Kraft Paper Crumpler

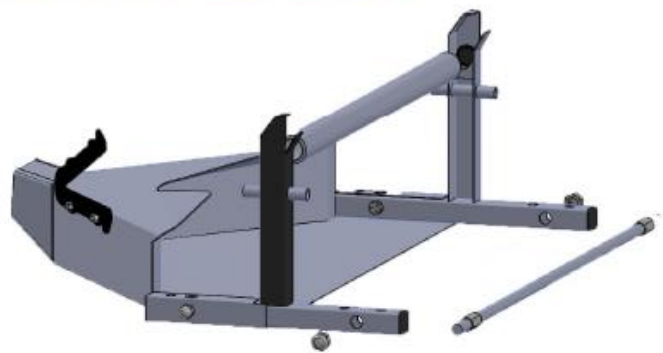
## 1. Assemble T-Stand



Attach **T-Stands** to **base frame** of the EP-5950.

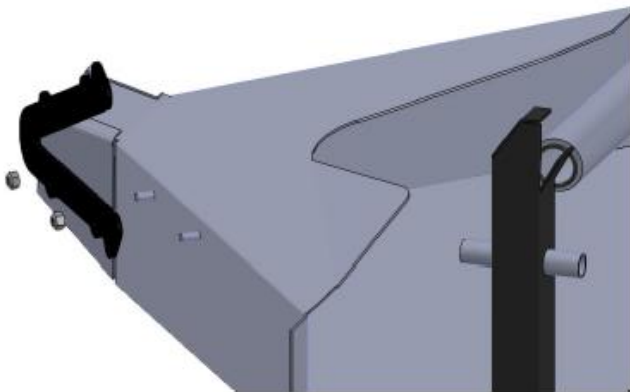
Make sure that the **slanted ends** of the **t-stands** point towards the **chute**.

## 2. Stabilize Base



Stabilize **base frame** by attaching the **threaded rod** to the **T-stand**.

## 3. Install Paper Cutter



Attach the **paper cutter** to the **base frame** using the included fasteners.

## 4. Attach Non-Slip Grips



Stick the **velcro strips** to the bottom of the **base frame**. to prevent slipping.

Refer to **Instructions for use** for Kraft Paper Installation and use.