

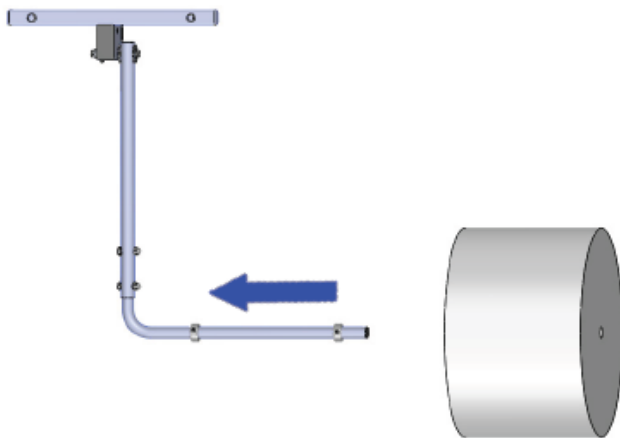


Instructions for Use

# EP-6000S

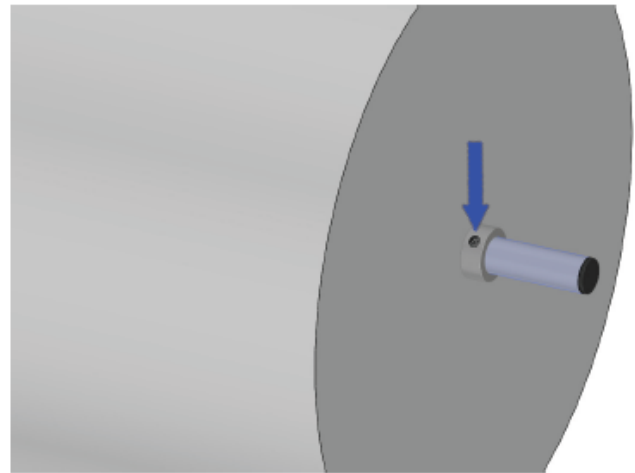
Wall Mount Bubble and Foam Dispenser

## Step 1.



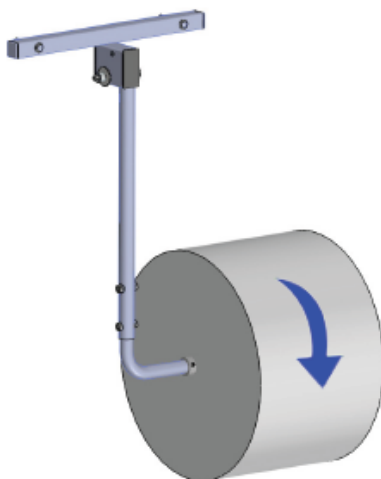
Slide the **packaging rolls** onto the **roll arm**.

## Step 2.



Tighten the **set screws** on the **shaft collars** to keep the roll in place. (Use  $5/32$ " Allen Key.)

## Step 3.



The **packaging roll** should rotate freely on the **Roll Arm**. The EP-6000S is now ready for use.

## Additional Information:

Mounting is to be performed by a certified installer or contractor.

45 lb. Maximum capacity per support arm. **DO NOT HANG ON UNIT.**

Unit is designed to hold bubble and foam rolls **ONLY**. **DO NOT** put other items on unit.

Periodically check the unit to make sure everything is in good operating order and properly tensioned.

Call your local distributor for questions.

