

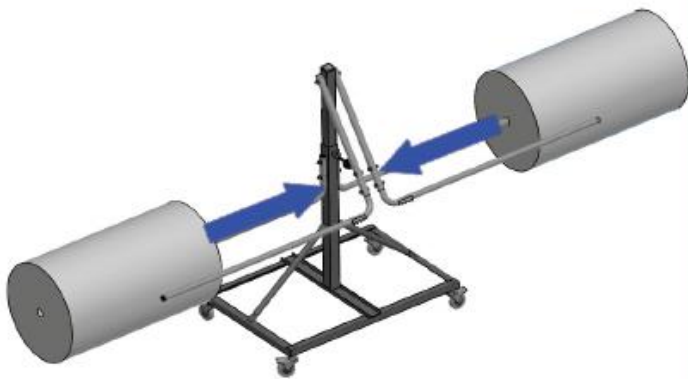


Instructions for Use

EP-6220

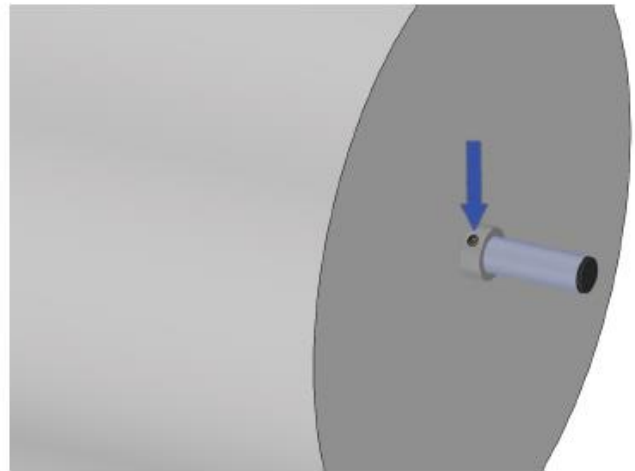
Floor Unit Bubble and Foam Dispenser
with Tear Tag

Step 1.



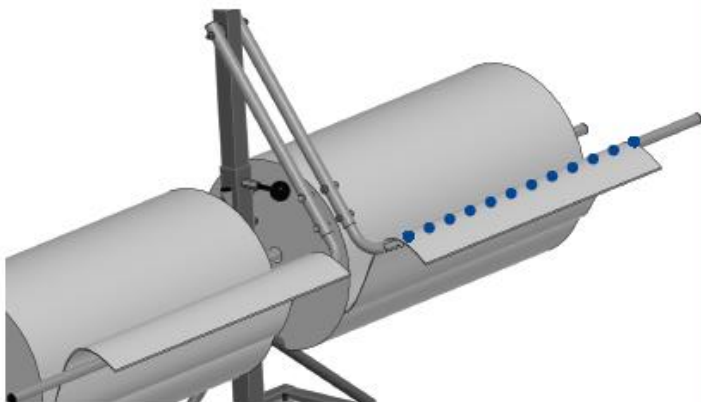
Slide the **packaging roll** onto the **roll arm**.

Step 2.



Tighten the **set screws** on the **shaft collars** to keep the roll in place. (Use $5/32$ " Allen Key.)

Step 3.



Pull **packaging material** to the desired length and cut with **Tear Tag**.
The EP-6220 is now ready for use.

Additional Information:



For single-arm products (EP-6220S), follow the instructions as stated, mounting only one side of the product instead of both.

