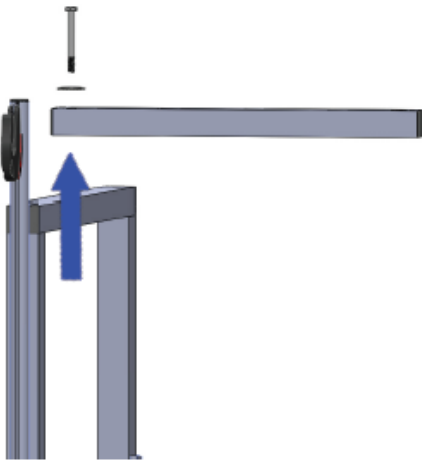


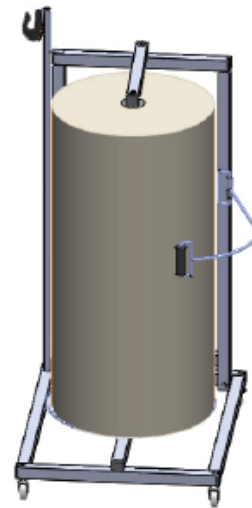
Instructions for Use
EP-6550
 Corrugated Cardboard Cutter
 and Dispenser

Step 1.



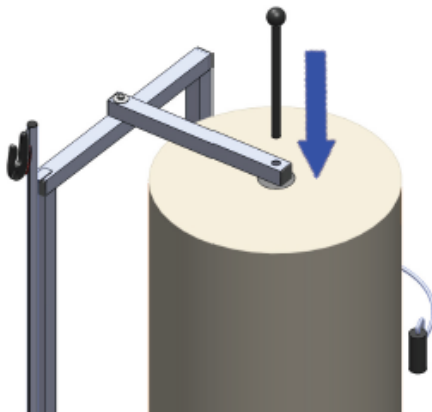
Remove the **Support Tube**.

Step 2.



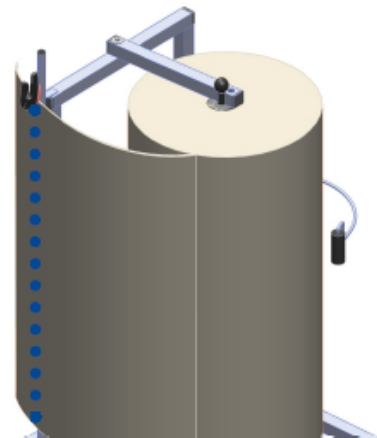
Place **Corrugated Unit** on top of **disk**.
 Reattach **Support Tube**.

Step 3.



Insert **Top Guiding Rod** through the **Support Tube** and into the **Corrugated Unit**.

Step 4.



Pull to desired length and cut with **cutter**.