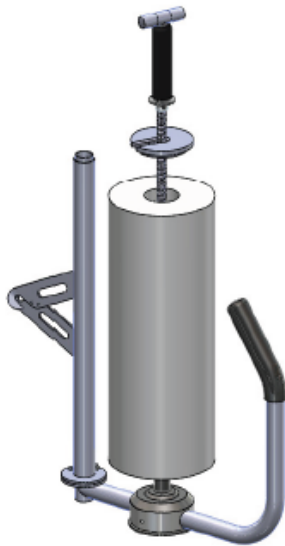




Instructions for Use
EP-890
 Roper Device

1.



Place stretch film roll on the **base**.

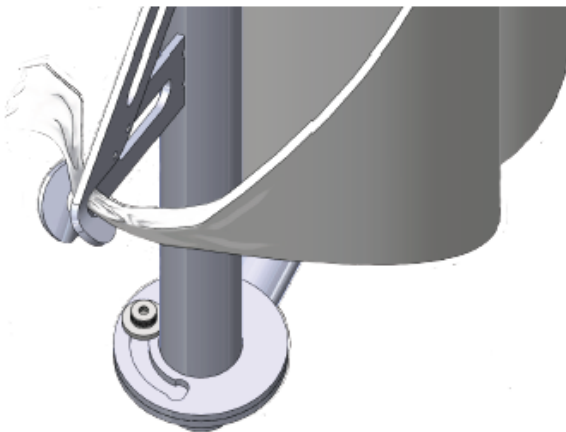
Insert top and handle to keep roll in place.

2.



Twist handle to tension stretch film.

3.



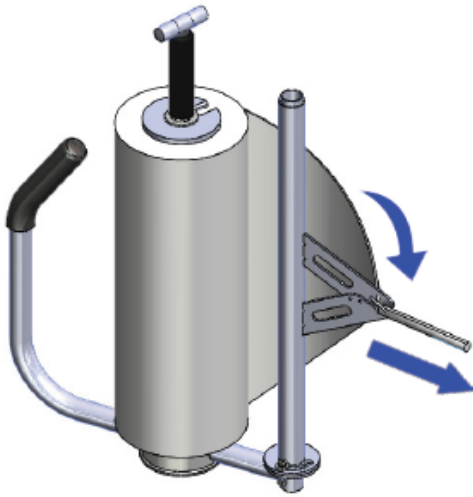
To use **roper**, **wrap stretch film** around the first hook of **stretch film guide**, pulling it out on the other side.

4.



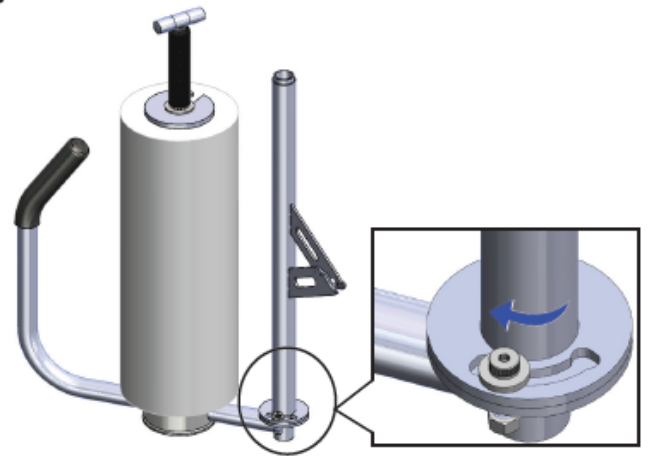
Maneuver stretch film so it also rests on the second hook of the **stretch film guide** and pull. **Stretch film rope** should come out on the other side.

5.



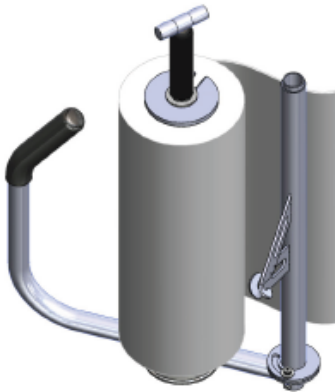
Pull out **stretch film rope** from other side of **stretch film guide**.

6.



Turn **roper arm** 90 degrees to dispense **standard length stretch film**.

7.

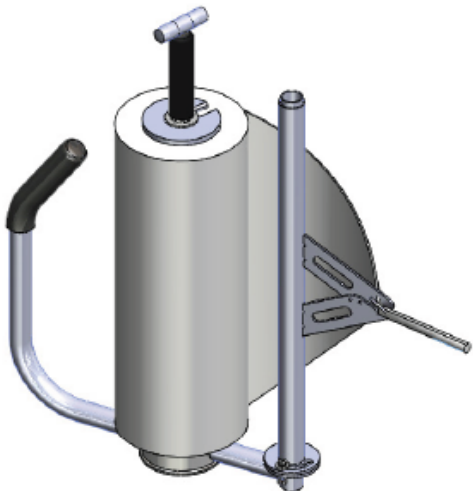


When dispensing **standard length stretch film**, make sure the film rests on the **opposite side** of the **stretch film guide**.

8.



To **switch out** stretch film, **unscrew handle** and **remove top**. Stretch film should **slide out** over the handle.



Refer to **Safety Guide** before operating.