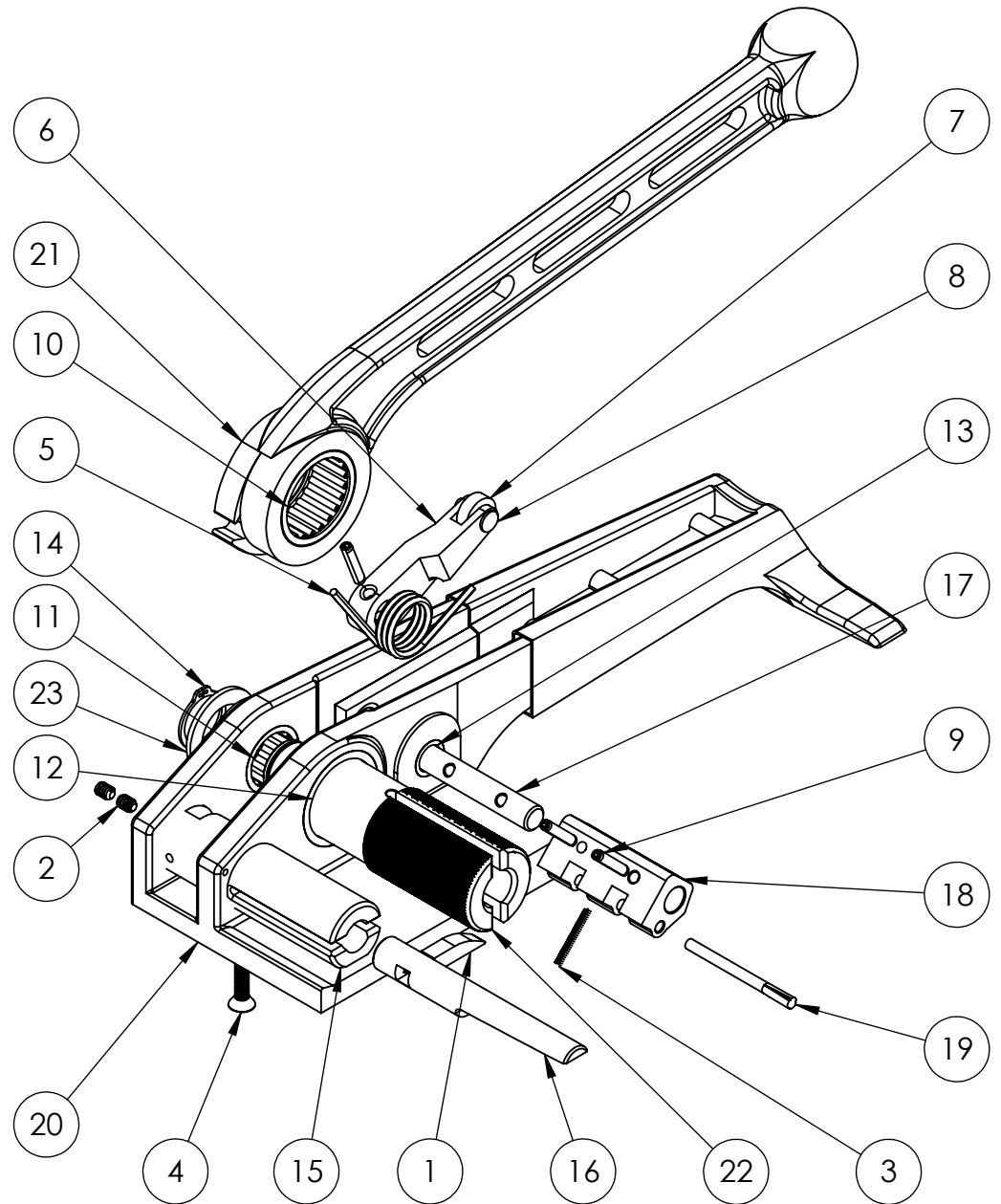


EP-1190

Parts List

| ITEM NO. | PART NUMBER | DESCRIPTION | QTY. |
|----------|--------------|--------------------------|------|
| 1 | E1150-01-C | Cutter Actuator Pin | 1 |
| 2 | E1150-01-D | Cutter Blade Set Screw | 2 |
| 3 | E1150-02-D | Gripper Foot Spring | 1 |
| 4 | E1150-04-A | Base Set Screw | 1 |
| 5 | E1150-06 | Release Lever Spring | 1 |
| 6 | E1150-07 | Release Lever | 1 |
| 7 | E1150-07-A | Release Lever Roller | 1 |
| 8 | E1150-07-B | Rivit | 1 |
| 9 | E1150-08 | Release Lever Roll Pin | 3 |
| 10 | E1150-09-A | Handle Bearing | 1 |
| 11 | E1150-10 | Base Clutch Bearing | 1 |
| 12 | E1150-11 | Base Large Bushing | 1 |
| 13 | E1150-12 | Needle-Roller Bearing | 2 |
| 14 | E1150-13 | Windless Circlip | 1 |
| 15 | E1195-01-A | Cutter Housing | 1 |
| 16 | E1195-01-B-1 | Cutter Blade | 1 |
| 17 | E1195-02-A | Gripper Foot Pin | 1 |
| 18 | E1195-02-B | Gripper Foot Housing | 1 |
| 19 | E1195-02-E | Gripper Foot Holding Pin | 1 |
| 20 | E1195-04 | Base | 1 |
| 21 | E1195-09 | Handle | 1 |
| 22 | E1195-10 | Windlass | 1 |
| 23 | E1195-25 | Support Washer | 1 |



8/14/18 REV. D